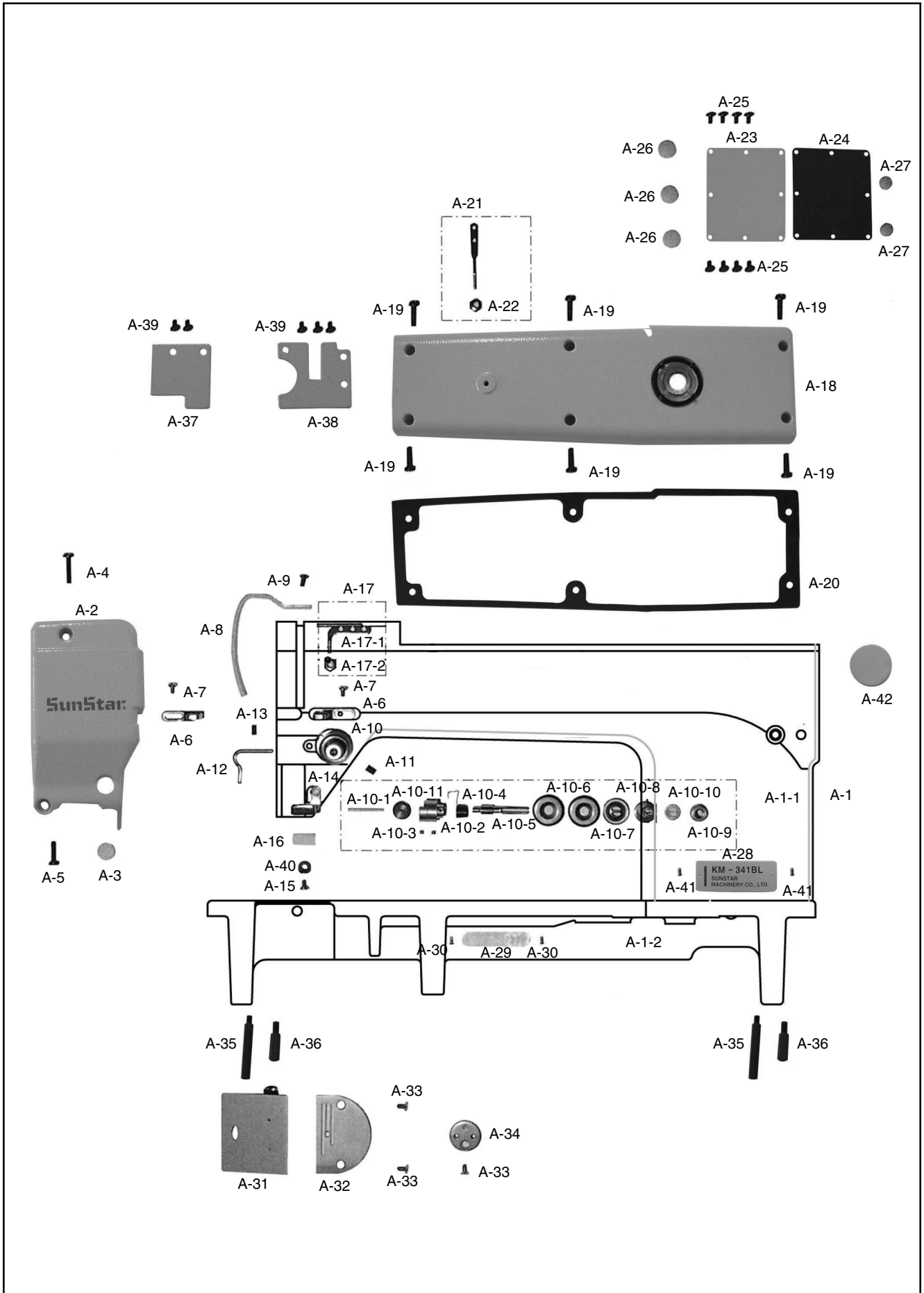


A

Machine Body & Thread Tension Adjusting Mechanism 외장 및 실장력 조절관계

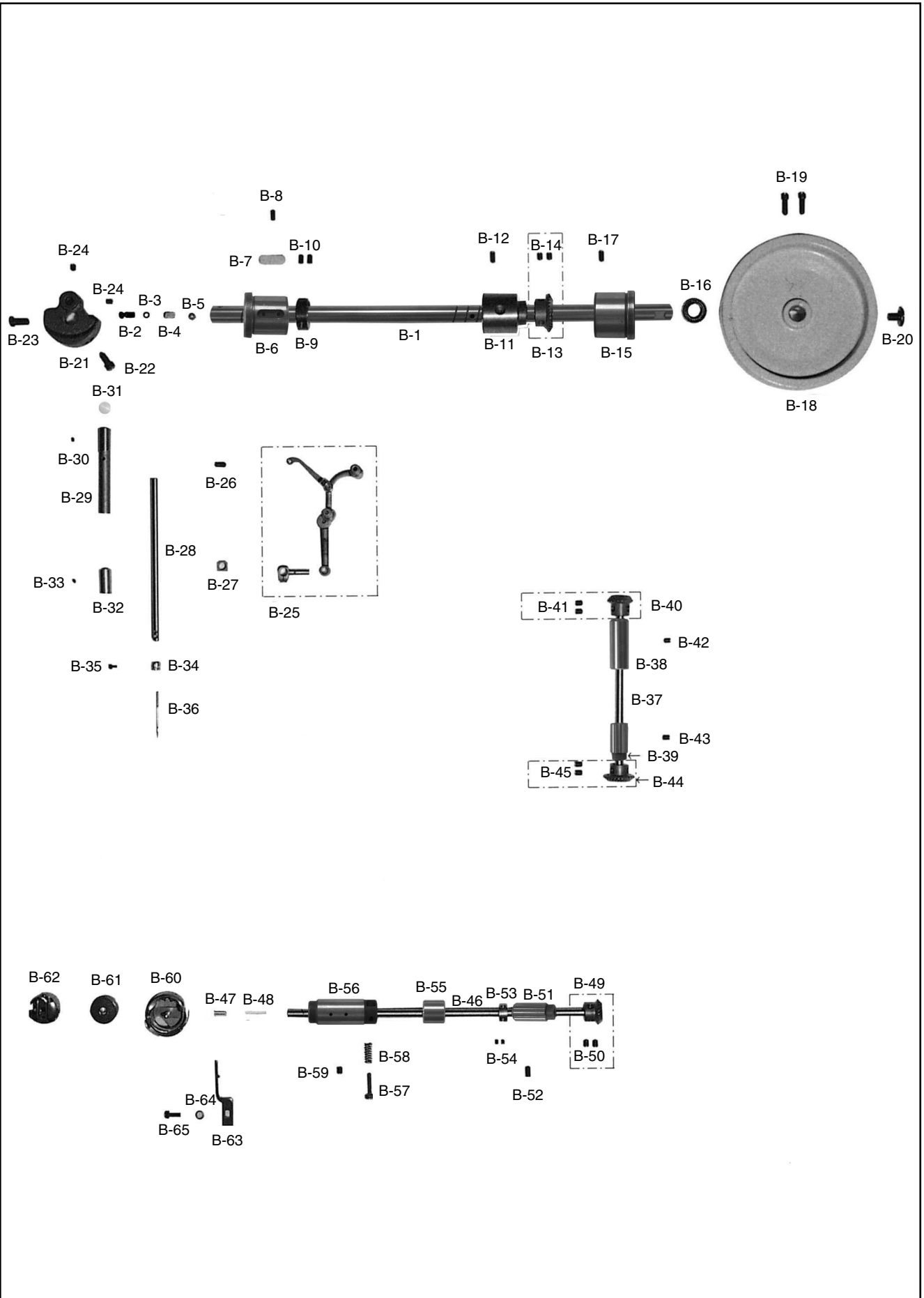




| Ref. No. | Parts No. | Note | Name of Parts | 품 명 | Q'ty | Assembly No. |
|----------|--------------|------|---|---------------------|------|--------------|
| A-1 | AS-001960-00 | | ARM BED ASS'Y | 암 베드(조) | 1 | |
| A-1-1 | GP-007728-00 | | ARM | 암 | 1 | |
| A-1-2 | GP-007802-00 | | BED | 베드 | 1 | |
| A-2 | GP-007932-00 | | FACE PLATE | 면판 | 1 | |
| A-3 | 01-110R-1230 | | RUBBER PLUG(NEEDLE BAR ADJUSTING HOLE) | 면판고무마개 (중) 흰색 (3) | 1 | |
| A-4 | SC-0214-3400 | | SCREW(11/64" N=40) | 면판접이나사하 - 신형(4118) | 1 | |
| A-5 | SC-0498-3710 | | SCREW(11/64" N=40) | 가마잡이나사(4122) | 1 | |
| A-6 | 01-007C-3400 | | THREAD GUIDE FOR A-1 | 암실안내 | 2 | |
| A-7 | SC-0120-1230 | | SCREW (9/64" N=40) | 오일펌프커버나사(2118) | 2 | |
| A-8 | 01-109C-3400 | | COVER FOR TAKE-UP LEVER | 실채기커버 | 1 | |
| A-9 | SC-0543-2302 | | SCREW(11/64" N=40) | 톱커버힌지고정나사(4525) | 1 | |
| A-10 | 40-104A-640L | | TENSION COMPLETED ASS'Y | 실조절장치 | 1 | |
| A-10-1 | 40-504A-1230 | | TENSION RELEASE PIN | 사조자핀 | 1 | |
| A-10-2 | 40-104A-1230 | | TENSION PAST SOCKET | 실조절 장치붓싱 | 1 | |
| A-10-3 | 40-604S-1230 | | SET SCREW FOR A-10-5 | 실조절장치축고정나사 | 2 | |
| A-10-4 | 40-111G-1230 | | CHECK SPRING | 뽕뽕스프링 (D - 1 4 6) | 1 | |
| A-10-5 | 40-404A-1230 | | TENSION STUD | 실조절장치축 | 1 | |
| A-10-6 | 40-204A-1230 | | TENSION DISK | 실안내접시 | 2 | |
| A-10-7 | 40-304A-1230 | | TENSION RELEASE WASHER | 실조절스프링받침 | 1 | |
| A-10-8 | 40-333G-123B | | TENSION SPRING | 실장력조절스프링 (123B) | 1 | |
| A-10-9 | 40-804W-1230 | | RATCHET FOR A-10-10 | 실장력조절스프링스토퍼 | 1 | |
| A-10-10 | 40-704C-1230 | | TENSION ADJUSTING KNOB | 실조절장치조절너트 | 1 | |
| A-10-11 | 40-008R-1230 | | TENSION COMPLETED RUBBER CAP | 실조절장치고무캡 | 1 | |
| A-11 | SC-0114-1230 | | SCREW (15/64" N=28) | 피이드캡고정나사(반금) (4515) | 1 | |
| A-12 | 01-032C-1230 | | THREAD GUIDE FRONT | 콧봉실걸이 | 1 | |
| A-13 | SC-0499-1230 | | SCREW(11/64" N=40) | 콧봉실걸이나사(4515) | 1 | |
| A-14 | 44-008A-3400 | | UPPER THREAD OIL FELT CASE | 윗실급유헬트잡이 | 1 | |
| A-15 | SC-0120-1230 | | SCREW (9/64" N=40) | 오일펌프커버나사(2118) | 1 | |
| A-16 | 44-009M-3400 | | UPPER THREAD OIL FELT | 윗실급유헬트 | 1 | |
| A-17 | 01-027A-1230 | | THREAD GUIDE WITH THREE HOLES ASS'Y | 세구멍실걸이 (조) K | 1 | |
| A-17-1 | 01-015A-1230 | | THREAD GUIDE WITH THREE HOLES | 세구멍실걸이 | 1 | |
| A-17-2 | 01-027C-1230 | | NUT FOR A-17 | 세구멍실걸이너트 | 1 | |
| A-18 | GP-007936-00 | | TOP COVER | 윗뚜껑 | 1 | |
| A-19 | SC-0498-3710 | | SCREW(11/64" N=40) | 가마잡이나사(4122) | 6 | |
| A-20 | GP-007944-00 | | TOP COVER GASKET | 윗뚜껑가스켓 | 1 | |
| A-21 | 01-116A-2350 | | GUIDE BAR FOR THREAD | 실안내봉 | 1 | |
| A-22 | 01-027C-1230 | | NUT FOR A-21 | 세구멍실걸이너트 | 1 | |
| A-23 | GP-007667-00 | | BACK COVER | 뒷뚜껑 | 1 | |
| A-24 | GP-007668-00 | | BACK COVER GASKET | 뒷뚜껑가스켓 | 1 | |
| A-25 | SC-A156-4118 | | SCREW(9/64" N=40) | 흡블이 넙비 작은나사 | 8 | |
| A-26 | 01-110R-1230 | | RUBBER PLUG FOR A-1 | 면판고무마개 (중) 흰색 (3) | 3 | |
| A-27 | 01-012R-1230 | | RUBBER PLUG FOR A-1 | 면판고무마개(소) 흰색(5) | 2 | |
| A-28 | GP-008069-00 | | MODEL MARK | 모델마크 | 1 | |
| A-29 | 01-035P-1370 | | MACHINE NUMBER PLATE | 번호판 | 1 | |
| A-30 | 01-035P-7400 | | SETTING PIN FOR A-29 | 번호판핀 | 2 | |
| A-31 | 01-434A-1230 | | SLIDE PLATE ASS'Y | 미끄럼판(조) | 1 | |
| A-32 | 01-212A-3400 | | NEEDLE PLATE | 바늘판 | 1 | |
| A-33 | SC-A119-4119 | | SCREW(11/64" N=40) | 흡블이 접시 작은나사 | 3 | |
| A-34 | 01-044A-257A | | HOLDER FOR ATTACHMENT | 게이지부착판 | 1 | |
| A-35 | GP-007665-00 | | BED SUPPORT A | 베드받침A | 2 | |
| A-36 | GP-007666-00 | | BED SUPPORT B | 베드받침B | 2 | |
| A-37 | GP-007672-00 | | ARM BACK SIDE COVER A | 암후면커버A | 1 | |
| A-38 | GP-007707-00 | | ARM BACK SIDE COVER B | 암후면커버B | 1 | |
| A-39 | SC-A170-4124 | | SCREW(9/64" N=40) | 흡블이 바인딩 작은나사 | 5 | |
| A-40 | WS-000077-00 | | WASHER | 실리콘급유탱크와셔 | 1 | |
| A-41 | 01-035P-7400 | | PIN | 모델마크핀 | 2 | |
| A-42 | 01-043R-640L | | UPPER FEED DRIVING SHAFT (LARGE) RUBBER CAP | 노루발수평운동축고무마개 | 1 | |

B

Upper Shaft & Needle Bar & Upright Shaft & Lower Shaft Mechanism 상축, 바늘대 및 입축, 하축 관계

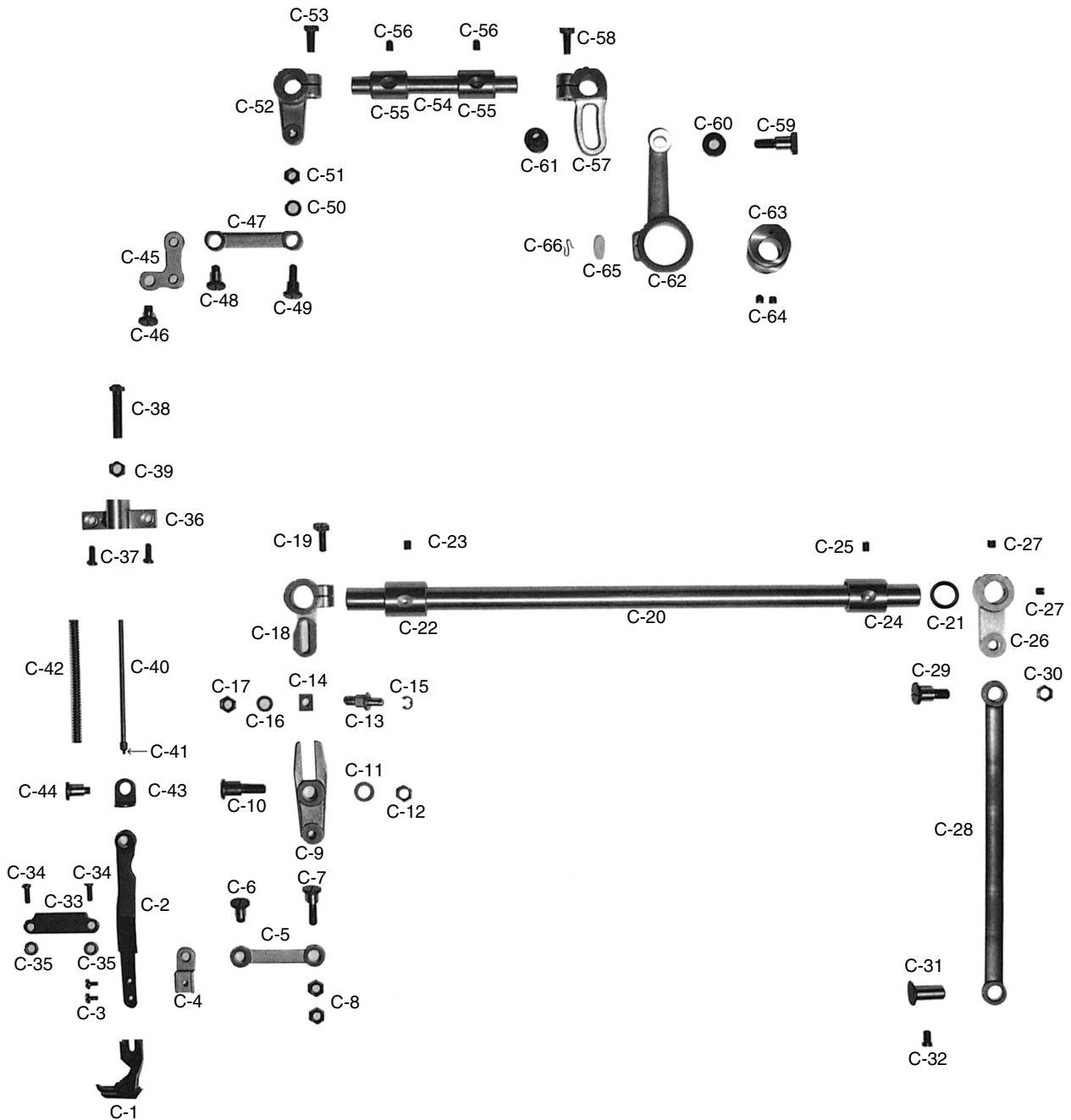




| Ref. No. | Parts No. | Note | Name of Parts | 품명 | Q'ty | Assembly No. |
|----------|--------------|------|------------------------------------|---------------------|------|--------------|
| B-1 | GP-007717-00 | | MAIN SHAFT | 상축 | 1 | |
| B-2 | 02-115C-2500 | | OIL ADJUSTING PIN FOR B-1 | 상축유량조절핀 | 1 | |
| B-3 | 02-016R-1230 | | O-RING FOR B-2 | 상축유량조절핀 O-링 | 1 | |
| B-4 | 02-020M-1230 | | UPPER SHAFT FELT | 상축펠트 | 1 | |
| B-5 | 02-118W-1230 | | UPPER SHAFT URETHAN WASHER | 상축우레탄와셔 | 1 | |
| B-6 | GP-007648-00 | | MAIN SHAFT BUSHING(FRONT) | 상축전부싱 | 1 | |
| B-7 | 02-010M-3400 | | OIL FELT FOR B-6 | 상축앞부싱펠트 | 1 | |
| B-8 | SC-0507-1230 | | SCREW(15/64" N=28) | 상축붓싱고정나사(4515) | 1 | |
| B-9 | 02-121A-1230 | | MAIN SHAFT COLLAR | 메스작동캠카라 | 1 | |
| B-10 | SC-0504-1230 | | SCREW(1/4" N=40) | 실채기핀고정나사(4515) | 2 | |
| B-11 | 02-104A-3400 | | MAIN SHAFT BUSHING (CENTER) | 상축중부싱 | 1 | |
| B-12 | SC-0507-1230 | | SCREW(15/64" N=28) | 상축붓싱고정나사(4515) | 1 | |
| B-13 | 02-211A-1230 | | MAIN SHAFT GEAR | 상축기어(국산) | 1 | |
| B-14 | 02-014A-640L | | SCREW(1/4" N=40) | 홈볼이멈춤나사 | 2 | |
| B-15 | GP-007649-00 | | MAIN SHAFT BUSHING (REAR) | 상축후부싱 | 1 | |
| B-16 | 02-028C-1230 | | OIL SEAL FOR B-15 | 상축후부싱오일셀 | 1 | |
| B-17 | SC-0507-1230 | | SCREW(15/64" N=28) | 상축붓싱고정나사(4515) | 1 | |
| B-18 | 02-006A-3400 | | PULLEY | 폴리(도장품) | 1 | |
| B-19 | SC-0150-2500 | | SCREW(15/64" N=28) | 폴리고정나사(4122) | 2 | |
| B-20 | SC-0188-1230 | | SCREW (5/16" N=24) | 폴리큰나사(4124) | 1 | |
| B-21 | GP-007718-00 | | COUNTER WEIGHT | 링크캠 | 1 | |
| B-22 | SC-0123-1230 | | SCREW(9/32" N=28) | 링크캠위치고정나사(4422) | 1 | |
| B-23 | SC-0124-4522 | | SCREW(9/32" N=28) | 홈볼이납작작은나사 | 1 | |
| B-24 | SC-A129-4515 | | SCREW(1/4" N=40) | 홈볼이멈춤나사(SC15) | 2 | |
| B-25 | AS-002103-00 | | THREAD TAKE UP LEVER ASS'Y | 실채기(조) | 1 | |
| B-25-1 | 08-501A-3400 | | THREAD TAKE UP LEVER | 실채기 | 1 | |
| B-25-2 | GP-007716-00 | | NEEDLE BAR CRANK | 바늘대크랭크 | 1 | |
| B-25-3 | 08-503A-146L | | THREAD TAKE UP LEVER CRANK | 실채기크랭크 | 1 | |
| B-25-4 | 08-504A-3400 | | NEEDLE BAR CRANK ROD | 바늘대크랭크로드 | 1 | |
| B-25-5 | 08-505A-257U | | NEEDLE BAR HOLDER | 바늘대잡이 | 1 | |
| B-25-6 | 08-506P-3400 | | THREAD TAKE UP LEVER HINGE PIN | 실채기힌지핀 | 1 | |
| B-25-7 | 08-507S-3400 | | NEEDLE BAR CRANK SCREW(LEFT) | 바늘대크랭크원나사 | 1 | |
| B-25-8 | 08-508S-123A | | NEEDLE BAR HOLDER SCREW | 바늘대잡이나사 | 1 | |
| B-26 | SC-0507-1230 | | SCREW(15/64" N=28) | 상축붓싱고정나사(4515) | 1 | |
| B-27 | 04-006A-1230 | | SLIDING BLOCK FOR B-25 | 바늘대안내블럭 | 1 | |
| B-28 | 04-101A-3400 | | NEEDLE BAR | 바늘대 | 1 | |
| B-29 | 04-108A-1230 | | NEEDLE BAR UPPER BUSHING | 바늘대상부싱(C) | 1 | |
| B-30 | SC-0113-3400 | | SCREW(11/64" N=40) | 바늘대붓싱나사(4515) | 1 | |
| B-31 | 04-104R-1230 | | RUBBER CAP FOR B-29 | 바늘대상부싱마개(흰색) | 1 | |
| B-32 | 04-109A-123B | | NEEDLE BAR LOWER BUSHING | 바늘대하부싱(C) | 1 | |
| B-33 | SC-0113-3400 | | SCREW(11/64" N=40) | 바늘대붓싱나사(4515) | 1 | |
| B-34 | 04-002C-640L | | THREAD GUIDE | 바늘대실걸이 | 1 | |
| B-35 | SC-A131-4522 | | SCREW(1/8" N=44) | 홈볼이납작작은나사(SC22) | 1 | |
| B-36 | - | | NEEDLE | 바늘 | 1 | |
| B-37 | GP-007650-00 | | UPRIGHT SHAFT | 입축 | 1 | |
| B-38 | GP-007651-00 | | UPRIGHT SHAFT BUSHING(UPPER) | 입축상부싱 | 1 | |
| B-39 | GP-007652-00 | | UPRIGHT SHAFT BUSHING(LOWER) | 입축하부싱 | 1 | |
| B-40 | 02-212A-1230 | | UPRIGHT SHAFT GEAR(UPPER) | 입축상기어(국산) | 1 | |
| B-41 | SC-A129-4515 | | SCREW(1/4" N=40) | 홈볼이멈춤나사(SC15) | 2 | |
| B-42 | SC-0114-1230 | | SCREW (15/64" N=28) | 피이드캠고정나사(만금) (4515) | 1 | |
| B-43 | SC-0114-1230 | | SCREW (15/64" N=28) | 피이드캠고정나사(만금) (4515) | 1 | |
| B-44 | 02-213A-1230 | | UPRIGHT SHAFT GEAR(LOWER) | 입축하기어(국산) | 1 | |
| B-45 | SC-A129-4515 | | SCREW(1/4" N=40) | 홈볼이멈춤나사(SC15) | 2 | |
| B-46 | GP-007640-00 | | LOWER SHAFT | 하축 | 1 | |
| B-47 | 07-005M-1230 | | LOWER SHAFT FELT | 하축펠트 | 1 | |
| B-48 | 07-004S-1230 | | CAP SCREW FOR LOWER SHAFT OIL FELT | 하축오일펠트꽃이나사 | 1 | |
| B-49 | 02-214A-1230 | | LOWER SHAFT GEAR (REAR) | 하축뒷기어(국산) | 1 | |
| B-50 | SC-A129-4515 | | SCREW(1/4" N=40) | 홈볼이멈춤나사(SC15) | 2 | |
| B-51 | GP-007644-00 | | LOWER SHAFT BUSHING(REAR) | 하축후부싱 | 1 | |
| B-52 | SC-0114-1230 | | SCREW (15/64" N=28) | 피이드캠고정나사(만금) (4515) | 1 | |
| B-53 | 44-025A-1230 | | LOWER SHAFT COLLAR | 오일펌프카라(B) 7.94×17×8 | 1 | |
| B-54 | SC-0104-5607 | | SCREW(11/64" N=40) | 하축중베어링부싱나사(4517) | 2 | |
| B-55 | GP-007642-00 | | LOWER SHAFT BUSHING(CENTER) | 하축중부싱 | 1 | |
| B-56 | GP-007641-00 | | LOWER SHAFT BUSHING(FRONT) | 하축전부싱 | 1 | |
| B-57 | SC-0361-1230 | | SCREW(3/16" N=32) | 하축오일조절나사 | 1 | |
| B-58 | 07-015G-1230 | | SPRING FOR C-57 | 훅급유조절나사스프링 | 1 | |
| B-59 | SC-0114-1230 | | SCREW (15/64" N=28) | 피이드캠고정나사(만금) (4515) | 1 | |
| B-60 | 07-007A-146L | | ROTARY HOOK | 가마HSM-B(ISU) | 1 | |
| B-61 | 07-225A-64L7 | | BOBBIN | 보빈 | 1 | |
| B-62 | 07-106A-146L | | BOBBIN CASE ASS'Y | 보빈케이스 | 1 | |
| B-63 | 07-013A-1230 | | HOOK RETAINER | 가마잡이 | 1 | |
| B-64 | 07-011W-1230 | | SPRING WASHER FOR C-65 | 가마잡이와셔 | 1 | |
| B-65 | SC-0174-1230 | | SCREW (11/64" N=40) | 가마잡이나사(국산) (4122) | 1 | |



Presser Foot & Upper Feed Mechanism 노루발 및 상피이드 관계

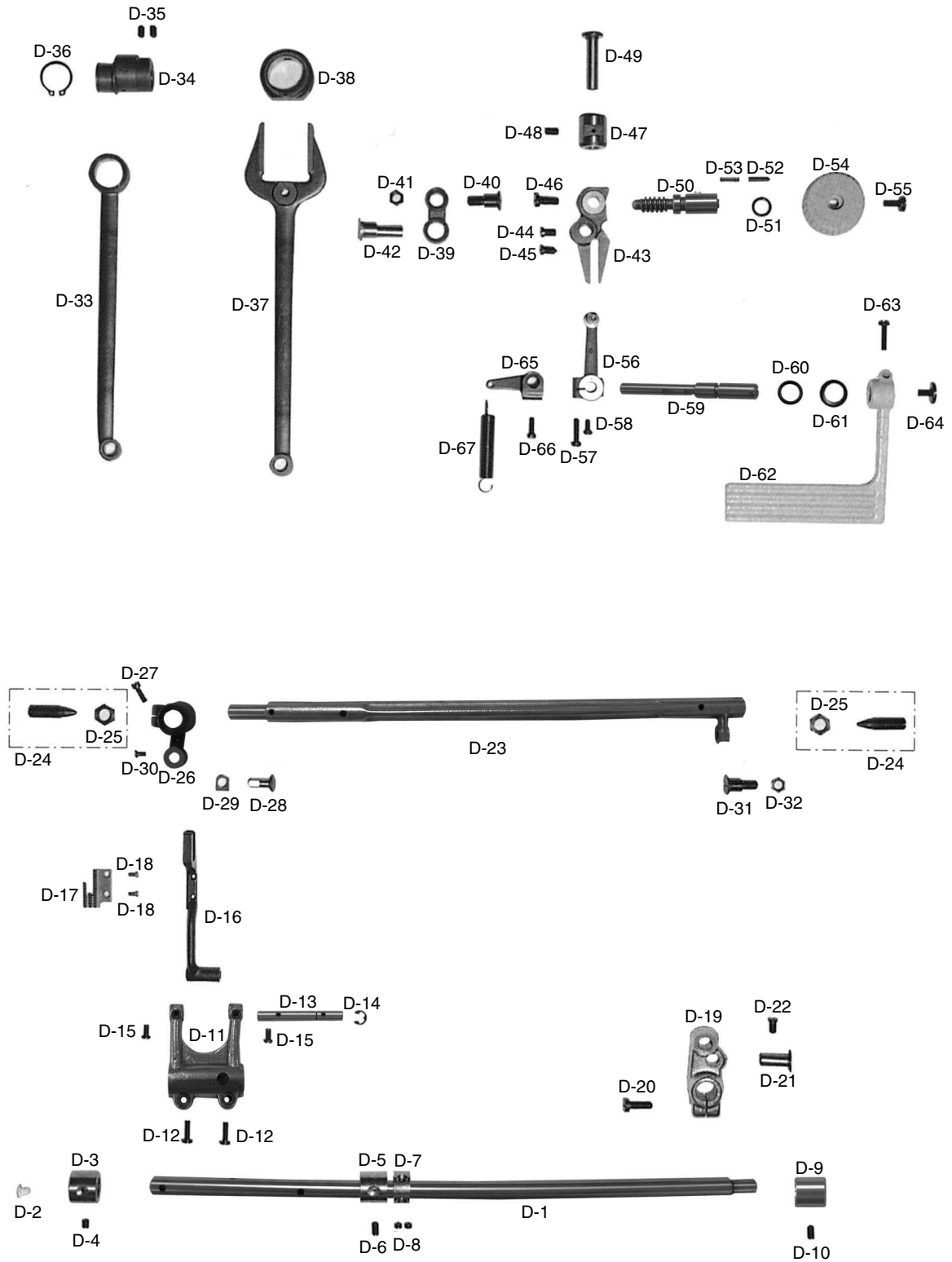




| Ref. No. | Parts No. | Note | Name of Parts | 품명 | Q'ty | Assembly No. |
|----------|--------------|------|----------------------------------|------------------------|------|--------------|
| C-1 | 05-020A-3400 | | MAIN PRESSER FOOT ASSEMBLY | 주노루발 | 1 | |
| C-2 | 15-131A-3400 | | UPPER FEED LEVER | 노루발운동레버(C) | 1 | |
| C-3 | SC-0365-3710 | | SCREW(9/64" N=40) | 면판측면커버나사(하)(4118) | 2 | |
| C-4 | 15-129A-3400 | | UPPER FEED LEVER HOLDER | 노루발운동레버잡이(C) | 1 | |
| C-5 | 15-107A-3400 | | UPPER FEED DRIVING ROD(49MM) | 수평운동롯드49MM(C) | 1 | |
| C-6 | 15-028S-3400 | | HINGE SCREW FOR D-5 | 노루발운동레버링크단나사 | 1 | |
| C-7 | 15-008S-3400 | | HINGE SCREW FOR D-5 | 수평운동롯드단나사 | 1 | |
| C-8 | SN-0105-3400 | | NUT (15/64" N=28) | 수평운동롯드단나사너트(4000) | 2 | |
| C-9 | 15-134A-3400 | | UPPER FEED ADJUSTING LINK | 노루발수평운동링크 | 1 | |
| C-10 | 15-006S-3400 | | HINGE SCREW FOR D-9 | 수평운동링크단나사 | 1 | |
| C-11 | 06-021W-7400 | | WASHER FOR D-10 | 역진레버와셔 | 1 | |
| C-12 | SN-0107-1230 | | NUT (9/32" N=28) | 피이드조절기연결나사너트(4000) | 1 | |
| C-13 | 15-001A-3400 | | CONNECTING STUD SHAFT | 수평운동조절축 | 1 | |
| C-14 | 15-103A-3400 | | BLOCK | 노루발수평운동축블럭(C) | 1 | |
| C-15 | 05-014C-1230 | | STOP RING FOR D-13(φ4) | 인상판E링 | 1 | |
| C-16 | 06-051W-7400 | | WASHER FOR D-13 | 포크웍나사와셔 | 1 | |
| C-17 | SN-0116-3400 | | NUT (1/4" N=40) | 수평운동조절축너트(4000) | 1 | |
| C-18 | 15-104A-3400 | | UPPER FEED ADJUSTING CRANK | 수평운동조절크랭크(C) | 1 | |
| C-19 | 15-005S-3400 | | SCREW(15/64" N=28) | 수평운동조절크랭크웍나사 | 1 | |
| C-20 | GP-009487-00 | | UPPER FEED DRIVING SHAFT (LARGE) | 노루발수평운동축 | 1 | |
| C-21 | 10-042C-2700 | | O-ring | 노루발대수평운동축 O-Ring | 1 | |
| C-22 | 15-012A-3400 | | BUSHING FOR D-20(FRONT) | 수평운동축앞B/S(14.72×23×27) | 1 | |
| C-23 | SC-0114-1230 | | SCREW (15/64" N=28) | 피이드캠고정나사(만금)(4515) | 1 | |
| C-24 | 15-054A-640L | | REAR BUSHING | 수평운동축후부싱(C) | 1 | |
| C-25 | SC-0114-1230 | | SCREW (15/64" N=28) | 피이드캠고정나사(만금)(4515) | 1 | |
| C-26 | 15-110A-3400 | | REAR CRANK | 노루발수평운동축크랭크후(C) | 1 | |
| C-27 | SC-A129-4515 | | SCREW(1/4" N=40) | 흡볼이멈춤나사(SC15) | 2 | |
| C-28 | 15-114A-3400 | | UPPER FEED DRIVING SHAFT ROD | 노루발수평운동축롯드(C) | 1 | |
| C-29 | 15-015S-3400 | | HINGE SCREW FOR D-28 | 노루발수평운동축롯드단나사 | 1 | |
| C-30 | SN-0107-1230 | | NUT (9/32" N=28) | 피이드조절기연결나사너트(4000) | 1 | |
| C-31 | 06-017P-3400 | | CONNECTION PIN FOR D-28 | 와이롯드연결핀 | 1 | |
| C-32 | SC-0122-1230 | | SCREW (15/64" N=28) | 톱니받침축고정나사(4522) | 1 | |
| C-33 | 15-032C-3400 | | UPPER FEED LEVER SUPPORT PLATE | 노루발운동레버지지판 | 1 | |
| C-34 | SC-0179-3710 | | SCREW (11/64" N=40) | 윗뚜껑웍나사(4125) | 2 | |
| C-35 | 15-033C-3400 | | SUPPORT RING FOR D-33 | 노루발운동레버지지판링 | 2 | |
| C-36 | 05-005A-3400 | | FRAME FOR D-41 | 노루발압력조절나사후레임 | 1 | |
| C-37 | SC-0179-3710 | | SCREW (11/64" N=40) | 윗뚜껑웍나사(4125) | 2 | |
| C-38 | SC-0318-3400 | | SCREW(9/32" N=40) | 보조압력조절나사(4122) | 1 | |
| C-39 | SN-0107-1230 | | NUT (9/32" N=28) | 피이드조절기연결나사너트(4000) | 1 | |
| C-40 | 05-008C-3400 | | SUB-PRESSURE ADJUSTING POLE | 보조노루발압력조절봉 | 1 | |
| C-41 | 05-009C-3400 | | SUPPORT PLATE FOR D-36 | 보조노루발압력조절스프링받침 | 1 | |
| C-42 | 05-007G-3400 | | SPRING FOR D-36 | 보조압력조절스프링 | 1 | |
| C-43 | 05-010C-3400 | | SUPPORT PLATE FOR D-36 | 보조노루발압력봉받침 | 1 | |
| C-44 | 15-030S-3400 | | HINGE SCREW FOR D-2 | 노루발운동레버단나사 | 1 | |
| C-45 | 15-027A-3400 | | L-SHAPED LINK | 노루발운동레버링크 | 1 | |
| C-46 | 05-017S-3400 | | HINGE SCREW FOR D-8 | 누름대올리기브라켓연결단나사 | 1 | |
| C-47 | 15-122A-3400 | | UPPER FEED DRIVING ROD 51MM | 노루발상하운동롯드51MM(C) | 1 | |
| C-48 | 15-028S-3400 | | HINGE SCREW FOR D-47 | 노루발운동레버링크단나사 | 1 | |
| C-49 | 15-021S-3400 | | HINGE SCREW FOR D-52 | 노루발상하운동축크랭크단나사 | 1 | |
| C-50 | 06-051W-7400 | | WASHER FOR D-49 | 포크웍나사와셔 | 1 | |
| C-51 | SN-0105-3400 | | NUT (15/64" N=28) | 수평운동롯드단나사너트(4000) | 1 | |
| C-52 | 15-120A-3400 | | FRONT CRANK | 노루발상하운동축크랭크전(C) | 1 | |
| C-53 | 15-005S-3400 | | SCREW(15/64" N=28) | 수평운동조절크랭크웍나사 | 1 | |
| C-54 | 15-118A-3400 | | UPPER FEED DRIVING SHAFT (SMALL) | 노루발상하운동축 | 1 | |
| C-55 | 15-019A-3400 | | BUSHING FOR D-54 | 노루발상하운동축부싱 | 2 | |
| C-56 | SC-0114-1230 | | SCREW (15/64" N=28) | 피이드캠고정나사(만금)(4515) | 2 | |
| C-57 | 15-123A-3400 | | UPPER FEED ADJUSTING CRANK | 노루발상하운동조절크랭크(C) | 1 | |
| C-58 | 15-005S-3400 | | SCREW(15/64" N=28) | 수평운동조절크랭크웍나사 | 1 | |
| C-59 | 15-024A-3400 | | UPPER FEED ADJUSTING SHAFT | 노루발상하운동조절축 | 1 | |
| C-60 | 15-026W-3400 | | WASHER FOR D-59 | 노루발상하운동조절축와셔 | 1 | |
| C-61 | 15-025C-3400 | | NUT FOR D-59 | 노루발상하운동조절너트 | 1 | |
| C-62 | GP-009630-00 | | CONNECTING ROD | 노루발상하운동캠롯드(C) | 1 | |
| C-63 | GP-009631-00 | | FEED DRIVING ECCENTRIC CAM | 노루발상하운동캠 | 1 | |
| C-64 | SC-A129-4515 | | SCREW(1/4" N=40) | 흡볼이멈춤나사(SC15) | 2 | |
| C-65 | 44-023M-3400 | | OIL FELT | 노루발상하운동캠롯드유심웍트 | 1 | |
| C-66 | 44-015C-3400 | | OIL FELT HOLDER | 상하운동캠롯드유심잡이 | 1 | |

D

Lower Feed Mechanism 하피이드관계

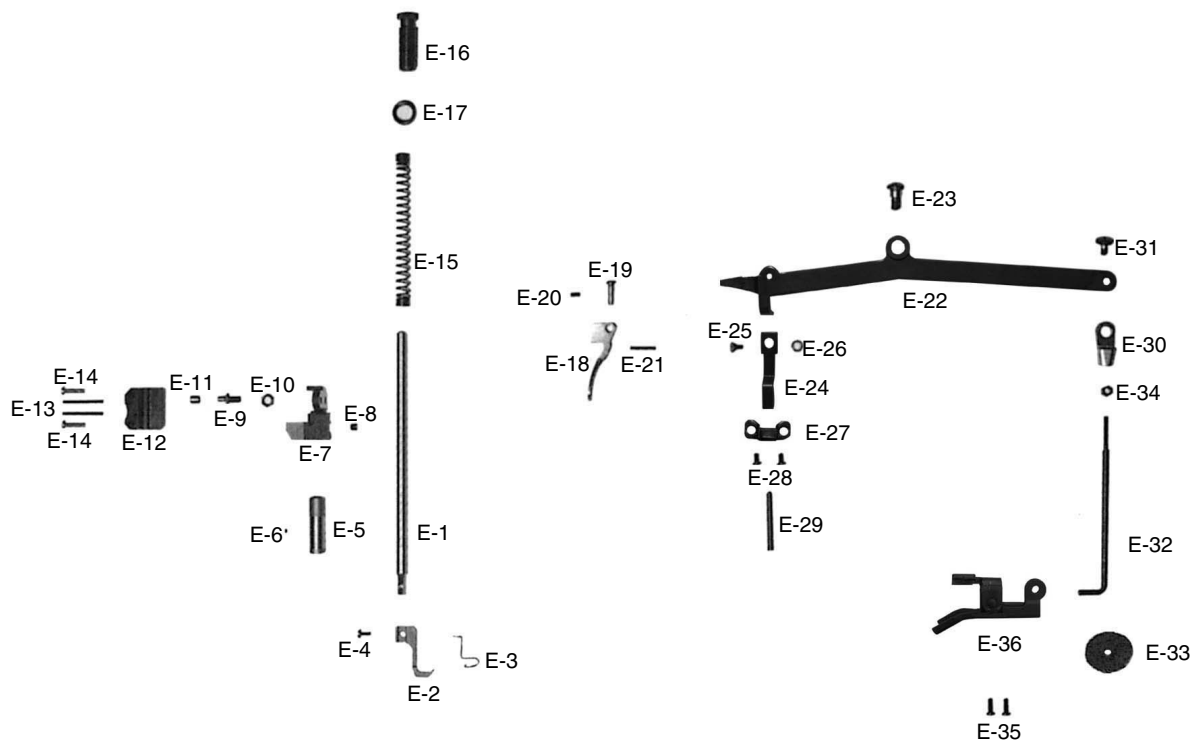




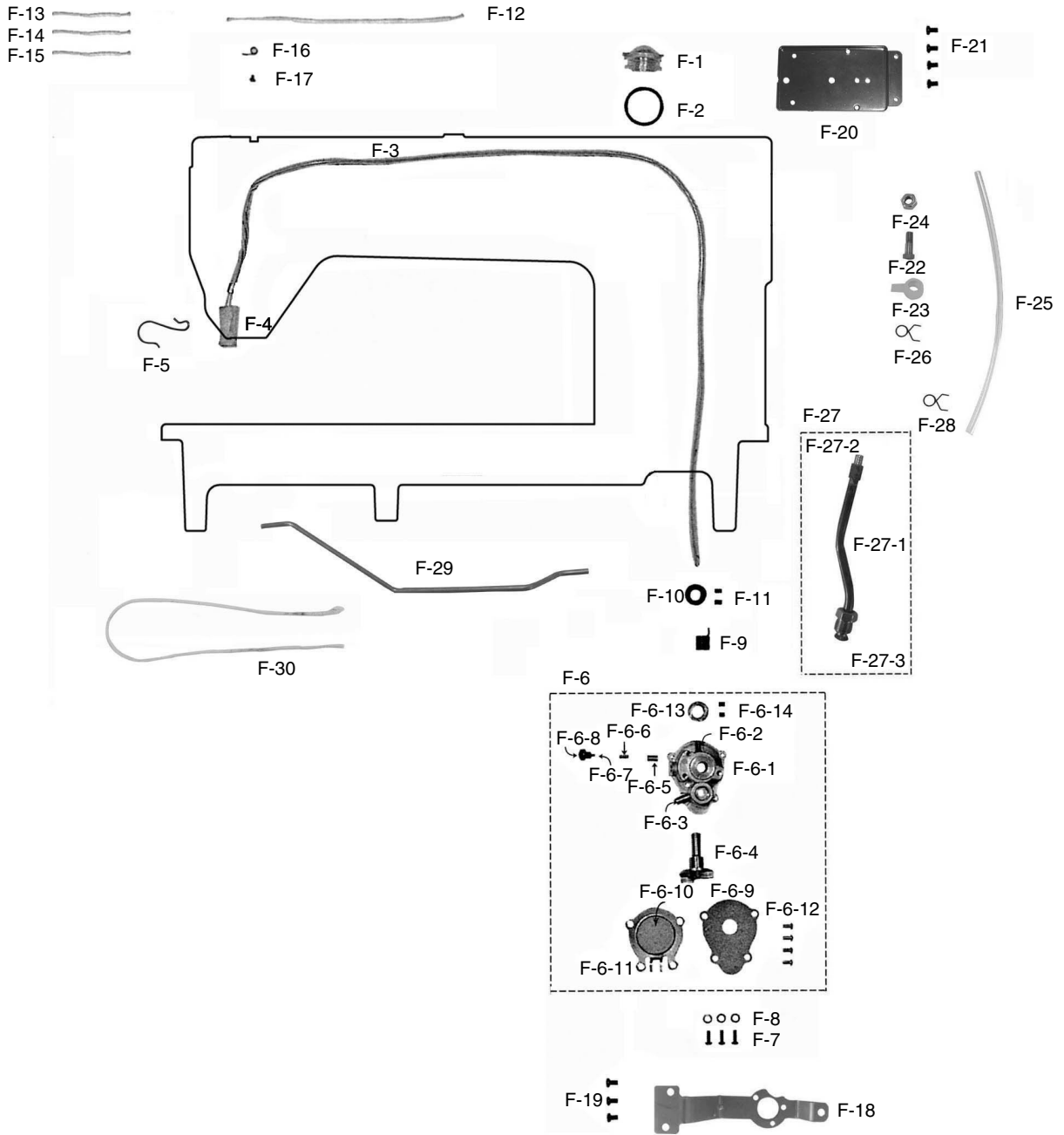
| Ref. No. | Parts No. | Note | Name of Parts | 품명 | Q'ty | Assembly No. |
|----------|--------------|------|---------------------------------|------------------------|------|--------------|
| D-1 | GP-007653-00 | | FEED ROCKER SHAFT | 수평밀대 | 1 | |
| D-2 | 01-037R-1230 | | FEED ROCKER SHAFT RUBBER CAP | 수평밀대 고무마개 | 1 | |
| D-3 | 06-119A-3400 | | FEED ROCKER SHAFT FRONT BUSHING | 수평밀대 앞부싱(C) | 1 | |
| D-4 | SC-0114-1230 | | SCREW (15/64" N = 28) | 피이드캠 고정나사(만금) (4515) | 1 | |
| D-5 | 06-020A-3400 | | BUSHING FOR E-1(CENTER) | 수평밀대중B/S 14.72×22.5×20 | 1 | |
| D-6 | SC-0507-1230 | | SCREW(15/64" N = 28) | 상축부싱 고정나사(4515) | 1 | |
| D-7 | 02-113A-3710 | | THRUST COLLAR | 상축카라(14.72×22×8.5)(C) | 1 | |
| D-8 | SC-A129-4515 | | SCREW(1/4" N = 40) | 홈볼이 멈춤나사(SC15) | 2 | |
| D-9 | GP-007654-00 | | BUSHING FOR E-1(REAR) | 수평밀대 후부싱 | 1 | |
| D-10 | SC-0507-1230 | | SCREW(15/64" N = 28) | 상축부싱 고정나사(4515) | 1 | |
| D-11 | GP-007655-00 | | FEED ROCKER ASS'Y | 톱니받침크랭크 | 1 | |
| D-12 | 06-023S-3400 | | SCREW(3/16" N = 28) | 톱니받침 크랭크웬나사 | 1 | |
| D-13 | GP-007656-00 | | FEED BAR SHAFT | 톱니받침축 | 1 | |
| D-14 | 04-009C-3710 | | E-RING (φ 5) | 이링 | 1 | |
| D-15 | SC-0175-1230 | | SCREW (11/64" N = 40) | 와이롯드보강판나사(4522) | 2 | |
| D-16 | 06-125A-3400 | | FEED BAR | 톱니받침(C) | 1 | |
| D-17 | 06-007A-123B | | FEED DOG | 톱니A-132(P=2.1) | 1 | |
| D-18 | SC-0130-1230 | | SCREW(1/8" N = 44) | 톱니웬나사(4122) | 2 | |
| D-19 | 06-116A-3400 | | FEED ROCKER SHAFT CRANK | 수평밀대 크랭크(C) | 1 | |
| D-20 | SC-0253-7400 | | SCREW (1/4" N = 24.L = 17) | 요동크랭크웬나사(4118) | 1 | |
| D-21 | 06-017P-3400 | | CONNECTING PIN FOR E-37 | 와이롯드 연결핀 | 1 | |
| D-22 | SC-0122-1230 | | SCREW (15/64" N = 28) | 톱니받침축 고정나사(4522) | 1 | |
| D-23 | GP-007694-00 | | FEED LIFTING SHAFT | 들대 | 1 | |
| D-24 | SC-0360-3400 | | SCREW(3/8" N = 28) | 들대 지지나사 | 2 | |
| D-25 | 06-030C-3400 | | NUT FOR D-23 | 들대 지지나사 고정 너트 | 2 | |
| D-26 | GP-007659-00 | | FEE LIFTING SHAFT FRONT CRANK | 들대 크랭크(전)(C) | 1 | |
| D-27 | SC-0497-1230 | | SCREW(3/16" N = 28) | 들대(전) 고정나사(4122) | 1 | |
| D-28 | 06-026A-3400 | | SLIDE BLOCK FOR E-16 | 톱니받침블럭축 | 1 | |
| D-29 | 06-127A-3400 | | SLIDING BLOCK | 톱니받침블럭(C) | 1 | |
| D-30 | SC-0128-7400 | | SCREW(11/64" N = 40) | 인봉카라웬나사4-15 (4118) | 1 | |
| D-31 | 06-032A-1230 | | CONNECTION SCREW FOR E-33 | 피이드조절기 연결단나사 | 1 | |
| D-32 | SN-0107-1230 | | NUT (9/32" N = 28) | 피이드조절기 연결나사너트(4000) | 1 | |
| D-33 | 06-154A-1230 | | CRANK ROD | 크랭크로드(C) | 1 | |
| D-34 | 06-001A-3400 | | FEED CAM | 피이드캠 | 1 | |
| D-35 | SC-0509-1230 | | SCREW(15/64" N = 28) | 피이드캠 고정나사(4515) | 1 | |
| D-36 | 06-007C-1600 | | STOPPER C-RING | 크랭크로드 스톱퍼링(2 0 D) | 1 | |
| D-37 | 06-103A-3400 | | Y-ROD | 와이롯드 | 1 | |
| D-38 | 06-102A-3400 | | CONNECTION RING FOR Y-ROD | 와이롯드 연결링(C) | 1 | |
| D-39 | 06-104A-3400 | | FEED LINK | 피이드링크(C) | 1 | |
| D-40 | 06-032A-1230 | | CONNECTION SCREW FOR E-43 | 피이드조절기 연결단나사 | 1 | |
| D-41 | SN-0107-1230 | | NUT (9/32" N = 28) | 피이드조절기 연결나사너트(4000) | 1 | |
| D-42 | 06-005A-3400 | | CONNECTION SHAFT FOR E-43 | 피이드링크 연결축 | 1 | |
| D-43 | 06-108A-3400 | | FEED REGULATOR | 피이드조절기 | 1 | |
| D-44 | SC-0122-1230 | | SCREW (15/64" N = 28) | 톱니받침축 고정나사(4522) | 1 | |
| D-45 | SC-0330-7400 | | SCREW(15/64" N = 28) | 역진레버 크랭크웬나사(4422) | 1 | |
| D-46 | SC-0183-2700 | | SCREW(15/64" N = 28) | 베이스 고정나사B (4122) | 1 | |
| D-47 | 06-110A-3400 | | BUSHING | 피이드조절축부싱(C) | 1 | |
| D-48 | SC-0507-1230 | | SCREW(15/64" N = 28) | 상축부싱 고정나사(4515) | 1 | |
| D-49 | 06-109A-3400 | | FEED REGULATOR SHAFT | 피이드조절축(C) | 1 | |
| D-50 | GP-007776-00 | | STITCH LENGTH ADJUSTING SCREW | 피이드조절다이얼축 | 1 | |
| D-51 | 06-010R-1230 | | O-RING FOR E-50 | 다이얼축오링 | 1 | |
| D-52 | 06-026P-1230 | | FEED REGULATOR DIAL PIN | 다이얼핀 | 1 | |
| D-53 | 06-027G-1230 | | FEED REGULATOR DIAL SPRING | 다이얼스프링 | 1 | |
| D-54 | 06-007C-3400 | | STITCH LENGTH ADJUSTING DIAL | 다이얼문자지시판 | 1 | |
| D-55 | SC-0193-1230 | | SCREW(3/16" N = 28) | 다이얼판 고정나사(4122) | 1 | |
| D-56 | 06-060A-3400 | | FEED REGULATOR ARM | 역진레버 크랭크(조) | 1 | |
| D-57 | SC-0184-1600 | | SCREW(3/16" N = 28) | 수평밀대 크랭크웬나사(4118) | 1 | |
| D-58 | SC-0174-1230 | | SCREW (11/64" N = 40) | 가마잡이 나사(국산) (4122) | 1 | |
| D-59 | GP-008101-00 | | FEED LEVER SHAFT | 역진레버축 | 1 | |
| D-60 | 06-042R-1230 | | FEED LEVER SHAFT O-RING | 역진레버축 O-링 | 1 | |
| D-61 | 06-053W-1230 | | CORRUGATED WASHER FOR E-59 | 레버와셔 | 1 | |
| D-62 | 06-050A-1230 | | REVERSE FEED CONTROL LEVER | 역진레버(도장품) | 1 | |
| D-63 | SC-0186-1230 | | SCREW (3/16" N = 32) | 역진레버 고정나사(4118) | 1 | |
| D-64 | SC-0185-1230 | | SCREW (3/16" N = 32) | 레버덜개나사(4124) | 1 | |
| D-65 | 06-114C-3400 | | TENSION SPRING SUSPENSION PLATE | 역진레버축스프링걸이 | 1 | |
| D-66 | SC-0497-1230 | | SCREW(3/16" N = 28) | 들대 크랭크(전) 고정나사(4122) | 1 | |
| D-67 | 06-024G-1230 | | SPRING FOR E-62 | 레버스프링 | 1 | |

Presser Bar & Knee Lifting Mechanism

누름대 및 무릎올림관계



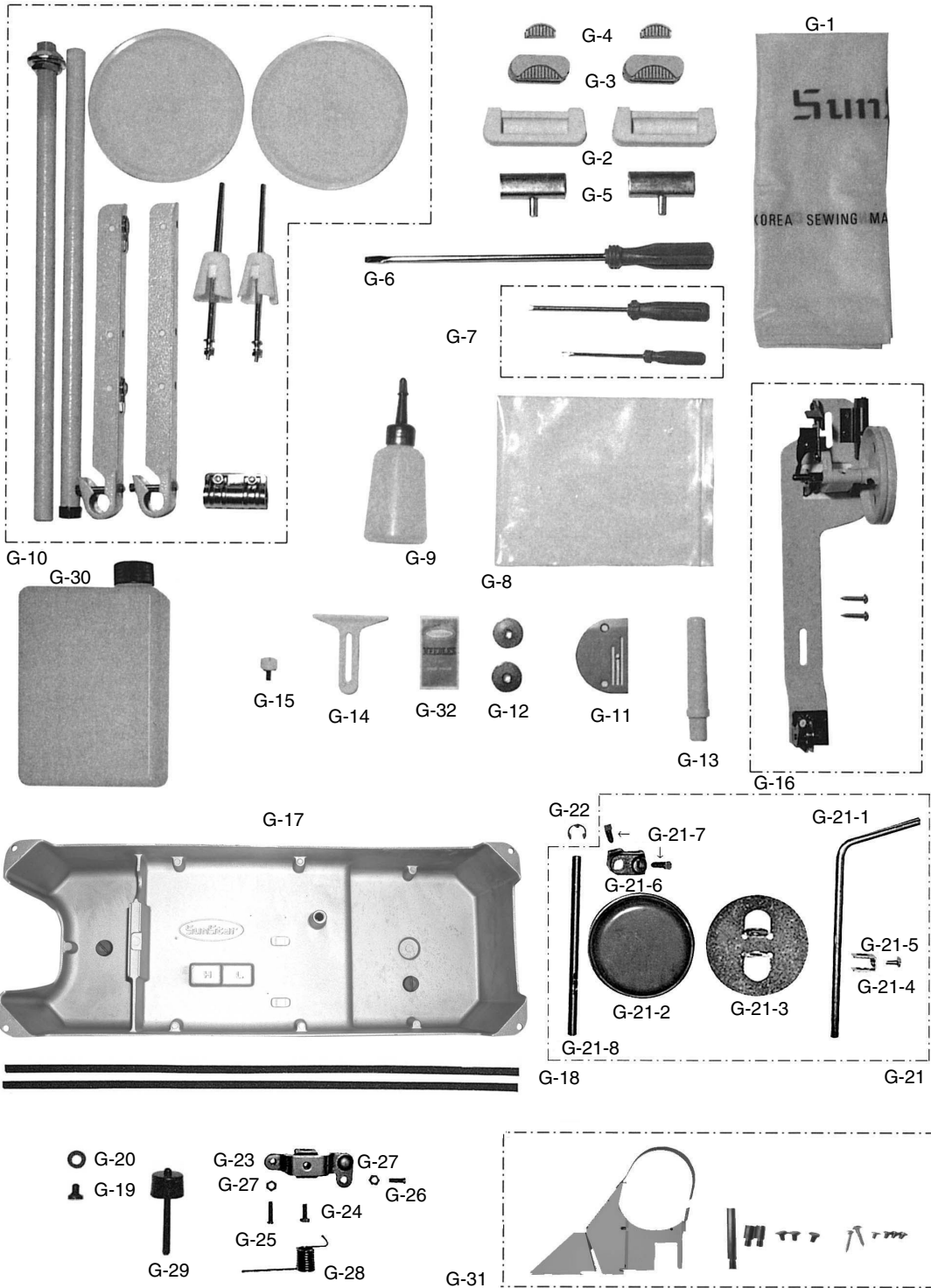
| Ref. No. | Parts No. | Note | Name of Parts | 품명 | Q'ty | Assembly No. |
|----------|--------------|------|--------------------------------|------------------|------|--------------|
| E-1 | 05-101A-3400 | | PRESSER BAR | 누름대(C) | 1 | |
| E-2 | 05-021A-3400 | | SUB-PRESSER FOOT | 보조노루발 | 1 | |
| E-3 | 05-019M-3400 | | NEEDLE SAFETY WIRE | 바늘보호와이어 | 1 | |
| E-4 | SC-A156-4118 | | SCREW(11/64" N = 40) | 홈붙이냄비작은나사(SC18) | 1 | |
| E-5 | 05-111A-1230 | | PRESSER BAR BUSHING | 누름대붓싱© | 1 | |
| E-6 | SC-0113-3400 | | SCREW(11/64" N = 40) | 바늘대붓싱나사(4515) | 1 | |
| E-7 | 05-011A-3400 | | BRACKET FOR PRESSER BAR LIFTER | 누름대올리기브라켓(K3463) | 1 | |
| E-8 | SC-A129-4515 | | SCREW(1/4" N = 40) | 홈붙이멈춤나사(SC15) | 1 | |
| E-9 | 05-013A-3400 | | GUIDE SHAFT FOR F-8 | 누름대올리기브라켓안내축 | 1 | |
| E-10 | SN-0116-8270 | | NUT (1/4" N = 40) | 슬라이드블럭나사너트(4000) | 1 | |
| E-11 | 05-012A-3400 | | ROLLER FOR F-8 | 누름대올리기브라켓로올러 | 1 | |
| E-12 | 05-115A-3400 | | GUIDE SHAFT FOR F-8 | 누름대올리기브라켓안내 | 1 | |
| E-13 | 05-016P-3400 | | LOCK PIN FOR F-13 | 브라켓안내로크핀 3 × 3 2 | 2 | |
| E-14 | SC-0178-7400 | | SCREW(11/64" N = 40) | 윗뚜껑칩나사(좌)(4118) | 2 | |
| E-15 | 05-004A-3800 | | PRESSER SPRING | 압력조절스프링 | 1 | |
| E-16 | SC-0367-3400 | | SCREW(9/16" N = 20) | 압력조절나사(4322) | 1 | |
| E-17 | SN-0100-3400 | | NUT (9/16" N = 20) | 압력조절나사너트(4000) | 1 | |
| E-18 | 05-006A-7400 | | PRESSER BAR LIFTER | 누름대올리기 | 1 | |
| E-19 | 05-018P-3400 | | HINGE PIN FOR F-19 | 누름대올리기핀 | 1 | |
| E-20 | SC-0499-1230 | | SCREW(11/64" N = 40) | 곡봉실걸이나사(4515) | 1 | |
| E-21 | 05-022C-3400 | | STOPPER FOR F-19 | 누름대올리기스토퍼3×20 | 1 | |
| E-22 | AS-001943-00 | | KNEE LIFTING LEVER ASS'Y | 무릎올림레버(조) | 1 | |
| E-22-1 | GP-007700-00 | | KNEE LIFTING LEVER | 무릎올림레버 | 1 | |
| E-22-2 | GP-007677-00 | | KNEE LIFTING LEVER BUSHING | 무릎올림레버붓싱 | 1 | |
| E-23 | 43-001S-3400 | | HINGE SCREW FOR F-23 | 무릎올림레버단나사 | 1 | |
| E-24 | GP-007675-00 | | TENSION RELEASE PLATE | 실늑추기판 | 1 | |
| E-25 | 16-015S-3710 | | HINGE SCREW FOR F-25 | 연결링크단나사 | 1 | |
| E-26 | 15-033C-3400 | | SUPPORT RING FOR F-25 | 노루발운동레버지지판링 | 1 | |
| E-27 | GP-009485-00 | | TENSION RELEASE PLATE COVER | 실늑추기판커버 | 1 | |
| E-28 | SC-0543-2302 | | SCREW(11/64" N = 40) | 톱커버힌지고정나사(4525) | 2 | |
| E-29 | 40-001C-3400 | | TENSION RELEASE PIN | 실늑추기핀 | 1 | |
| E-30 | 43-003A-3400 | | CONNECTION HOLDER | 무릎올림봉잡이 | 1 | |
| E-31 | GP-009484-00 | | HINGE SCREW FOR F-31 | 무릎올림봉단나사 | 1 | |
| E-32 | 43-102A-3400 | | KNEE LIFTER PULL ROD | 무릎올림봉 | 1 | |
| E-33 | 43-011M-1230 | | FELT WASHER FOR F-33 | 무릎올림봉헬트 | 1 | |
| E-34 | SN-0119-1230 | | NUT (3/16" N = 28) | 제어체운동나사너트(4000) | 1 | |
| E-35 | SC-0179-3710 | | SCREW (11/64" N = 40) | 윗뚜껑칩나사(4125) | 2 | |
| E-36 | AS-002106-00 | | KNEE LIFTING LINK ASS'Y | 무릎올림링크(조) | 1 | |
| E-36-1 | GP-008221-00 | | KNEE LIFTING LINK STOPPER | 무릎올림링크받침 | 1 | |
| E-36-2 | GP-007702-00 | | KNEE LIFTING LINK | 무릎올림링크 | 1 | |
| E-36-3 | PN-000140-00 | | KNEE LIFTING LINK ADJUST PIN | 무릎올림링크조정핀 | 1 | |



| Ref. No. | Parts No. | Note | Name of Parts | 품명 | Q'ty | Assembly No. |
|----------|--------------|------|--|--------------------|------|--------------|
| F-1 | 44-001C-2500 | | OIL GAUGE WINDOW | 유창 | 1 | |
| F-2 | 44-002R-2500 | | O-RING FOR G-1 | O-링 | 1 | |
| F-3 | 44-012C-1230 | | OIL RETURN TUBE(φ3) | 환류파이프 | 1 | |
| F-4 | 44-046M-3500 | | OIL RETURN FELTER | 환류펠트 | 1 | |
| F-5 | 44-017C-1230 | | OIL RETURN FELTER HOLDER | 환류펠트잡이 | 1 | |
| F-6 | 44-150A-640L | | OIL PUMP ASS'Y | 오일펌프(조) | 1Set | |
| F-6-1 | 44-012A-2350 | | OIL PUMP BODY | 오일펌프몸체 | 1 | |
| F-6-2 | 44-010C-1600 | | NIPPLE FOR OIL RETURN TUBE | 환류호스니플 | 1 | |
| F-6-3 | 44-009C-1600 | | NIPPLE FOR LOWER SHAFT OIL SUPPLY | 하측급유니플 | 1 | |
| F-6-4 | 44-026A-1230 | | IMPELLER | 임펠러 | 1 | |
| F-6-5 | 44-117A-1230 | | PISTON | 피스톤 | 1 | |
| F-6-6 | 44-118G-1230 | | PISTON SPRING | 피스톤스프링 | 1 | |
| F-6-7 | 44-120P-1230 | | PISTON SPRING PIN | 피스톤스프링핀 | 1 | |
| F-6-8 | 44-119S-1230 | | PISTON SPRING PIN SCREW | 피스톤스프링핀나사 | 1 | |
| F-6-9 | 44-104C-2350 | | OIL PUMP COVER | 오일펌프커버 | 1 | |
| F-6-10 | 44-024C-1230 | | OIL PUMP CAP | 오일펌프캡 | 1 | |
| F-6-11 | 44-105C-2350 | | MAGNETIC HOLDER | 자석잡이 | 1 | |
| F-6-12 | SC-120S-1230 | | SCREW(9/64" N=40) | 오일펌프커버나사 | 4 | |
| F-6-13 | 44-119A-1230 | | COLLAR FOR IMPELLER SHAFT | 오일펌프카라 | 1 | |
| F-6-14 | SC-0512-1230 | | SCREW(11/64" N=40) | 오일펌프조인트나사 | 2 | |
| F-7 | SC-0528-1230 | | SCREW(9/64" N=40) | 톱커버나사(우) | 3 | |
| F-8 | 44-011W-1600 | | OIL PUMP BODY WASHER | 오일펌프몸체와셔 | 3 | |
| F-9 | 44-016G-1230 | | OIL PUMP CONNECTING SPRING | 오일펌프연결스프링 | 1 | |
| F-10 | 44-115A-1230 | | OIL PUMP CONNECTING COLLAR | 오일펌프조인트카라 | 1 | |
| F-11 | SC-0542-1230 | | SCREW(11/64" N=40) | 실닛추기 고정나사 | 2 | |
| F-12 | 44-012C-1230 | | OIL RETURN TUBE(φ3) | 실체기급유파이프 | 1 | |
| F-13 | 44-0000-1230 | | OIL WICK | 실체기급유유심 | 1 | |
| F-14 | 44-0000-1230 | | OIL WICK | 노루발운동링크급유유심 | 1 | |
| F-15 | 44-0000-1231 | | OIL WICK | 바늘대급유유심 | 1 | |
| F-16 | 44-026G-7400 | | OIL WICK HOLDER FOR G-12 | 펠트잡이스프링 | 2 | |
| F-17 | SC-0365-3710 | | SCREW(9/64" N=40) | 면판측면커버나사(하) (4118) | 1 | |
| F-18 | GP-007669-00 | | OIL PUMP BRAKET | 오일펌프브라켓 | 1 | |
| F-19 | SC-0173-4118 | | SCREW(3/16" N=32) | 오일펌프브라켓고정나사 | 3 | |
| F-20 | GP-007719-00 | | OIL RECEIVER BRACKET | 오일받이브라켓 | 1 | |
| F-21 | SC-000110-00 | | SCREW(M4×P0.7) | 오일받이브라켓고정나사 | 4 | |
| F-22 | GP-007671-00 | | UPPER SHAFT OIL NOZZLE | 상측급유노즐 | 1 | |
| F-23 | GP-001035-00 | | OIL HOSE JOINT B | 오일호스조인트B | 1 | |
| F-24 | SN-0102-3800 | | UPPER SHAFT OIL PIPE NUT | 상측오일파이프너트 | 1 | |
| F-25 | 44S001S-306H | | OIL HOSE(φ5) | 오일호스조인트B급유호스 | 1 | |
| F-26 | GP-002026-00 | | OIL HOSE HOLDER(M) | 오일호스잡이(중) | 1 | |
| F-27 | AS-001947-00 | | UPPER SHAFT OIL PIPE ASS'Y | 상측급유파이프(조) | 1Set | |
| F-27-1 | GP-007714-00 | | UPPER SHAFT OIL PIPE | 상측급유파이프 | 1 | |
| F-27-2 | GP-007715-00 | | UPPER SHAFT OIL PIPE NIPPLE | 상측급유파이프니플 | 1 | |
| F-27-3 | SC-000330-00 | | UPPER SHAFT OIL PIPE SCREW(7/16" N=28) | 상측급유파이프고정나사 | 1 | |
| F-28 | GP-002026-00 | | OIL HOSE HOLDER(M) | 오일호스잡이(중) | 1 | |
| F-29 | GP-007670-00 | | LOWER SHAFT OIL SUPPLY PIPE | 하측급유파이프 | 1 | |
| F-30 | 44-0000-1230 | | OIL WICK | 들대급유유심 | 1 | |



Accessories 액세서리관계





| Ref. No. | Parts No. | Note | Name of Parts | 품명 | Q'ty | Assembly No. |
|----------|--------------|------|--------------------------------|--------------|------|--------------|
| G-1 | 91-106C-2700 | | SEWING MACHINE COVER | 미싱커버(대) | 1 | |
| G-2 | 01-042R-1230 | | HINGE SHEET RUBBER | 힌지고무(대) | 2 | |
| G-3 | 01-241R-1230 | | RUBBER BASE FOR BED(A) | 힌지고무(중) | 2 | |
| G-4 | 01-213R-1230 | | RUBBER BASE FOR BED(B) | 힌지고무(소) | 2 | |
| G-5 | 01-043C-1230 | | HEAD HINGE | 힌지 | 2 | |
| G-6 | 91-102C-1230 | | DRIVER (LARGE) | 드라이버(대) | 1 | |
| G-7 | 91-103C-1230 | | DRIVER (MIDDLE & SMALL) | 드라이버(중,소) | 1 | |
| G-8 | 91-001C-1230 | | ACCESSORY BOX | 악세서리봉투 | 1 | |
| G-9 | 91-011C-1230 | | OIL TANK | 유차 | 1 | |
| G-10 | 91-007A-2302 | | SPOD HOLDER ASSEMBLY | 실패꽃이(조) | 1 | |
| G-11 | 01-212A-3400 | | NEEDLE PLATE | 바늘판 | 1 | |
| G-12 | 07-225A-64L7 | | BOBBIN | 보빈 | 4 | |
| G-13 | 91-012C-1230 | | HEAD REST | 미싱받침대 | 1 | |
| G-14 | 91-104C-1230 | | ATTACHMENT | 정규(STEEL) | 1 | |
| G-15 | SC-0204-1230 | | SCREW(9/64" N=40) | 정규쥘나사(4124) | 1 | |
| G-16 | 41-101A-1230 | | BOBBIN WINDER ASSEMBLY | 실감기(조) - 소 | 1 | |
| G-17 | GP-007724-00 | | OIL PAN | 오일팬 | 1 | |
| G-18 | 44-003M-1230 | | OIL PAN GASKET | 오일팬가스켓 | 1 | |
| G-19 | SC-0347-1230 | | SCREW(M8×1.25) | 배유구멍마개나사 | 2 | |
| G-20 | 44-005R-1230 | | PACKING FOR H-19 | 배유구멍마개나사오링 | 2 | |
| G-21 | AS-002107-00 | | KNEE LIFTER ASS'Y | 무릎받침(조) | 1Set | |
| G-21-1 | GP-009525-00 | | KNEE LIFTER SHAFT | 무릎받침축 | 1 | |
| G-21-2 | 43-101R-1600 | | KNEE LIFTER PAD | 무릎받침고무 | 1 | |
| G-21-3 | 43-102C-1600 | | KNEE LIFTER PAD INSERT PLATE | 무릎받침고무잡이판 | 1 | |
| G-21-4 | 43-101A-1230 | | HOLDER FOR H-21-2 | 무릎받침고무연결링크 | 1 | |
| G-21-5 | 43-108S-1230 | | SET SCREW FOR H-21-4 | 무릎받침연결링크쥘나사 | 1 | |
| G-21-6 | 43-106C-1230 | | KNEE LIFTER ARM JOINT COMPLETE | 무릎받침연결크랭크 | 1 | |
| G-21-7 | SC-0181-1230 | | SCREW(5/16" N=18) | 무릎받침축고정나사 | 2 | |
| G-21-8 | 43-108C-1600 | | KNEE LIFTING CONTROLLER SHAFT | 제어체축 | 1 | |
| G-22 | 43-009C-1600 | | E-RING(φ9) | 제어체축링 | 1 | |
| G-23 | 43-007A-1600 | | KNEE LIFTING CONTROLLER | 제어체 | 1 | |
| G-24 | SC-0106-7400 | | SCREW(15/64" N=28) | 포크쥘나사(육각) | 1 | |
| G-25 | SC-0545-1230 | | SCREW(15/64" N=28) | 제어체운동조절나사(중) | 1 | |
| G-26 | SC-0546-1230 | | SCREW(15/64" N=28) | 제어체운동조절나사(대) | 1 | |
| G-27 | SN-0105-3400 | | NUT(15/64" N=28) | 수평운동조절축너트 | 2 | |
| G-28 | 43-008G-1600 | | SPRING FOR H-23 | 제어체스프링 | 1 | |
| G-29 | 43-008C-1230 | | KNEE BASE RUBBER | 무릎올림봉 받침 캡 | 1 | |
| G-30 | 91-108C-1230 | | OIL CAN(WITH OIL) | 오일캔(특종용) | 1 | |
| G-31 | 60-101A-3400 | | BELT COVER ASS'Y | 벨트커버(조) | 1 | |
| G-32 | - | | NEEDLE | 바늘 | 1Set | |